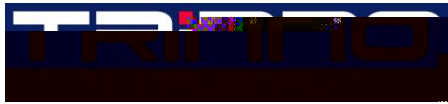




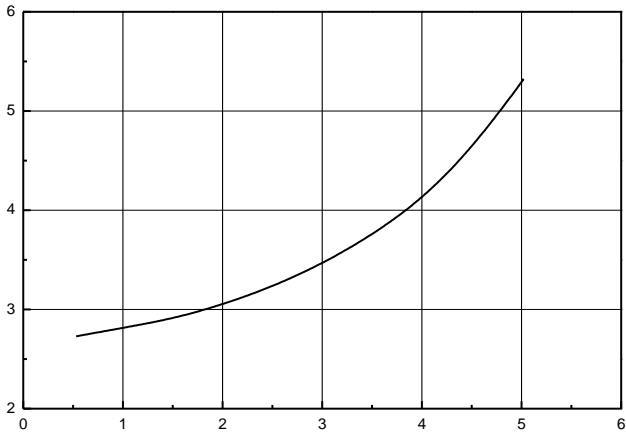
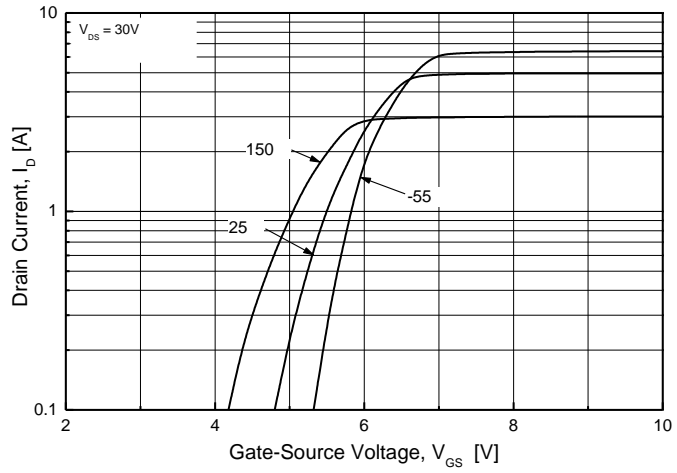
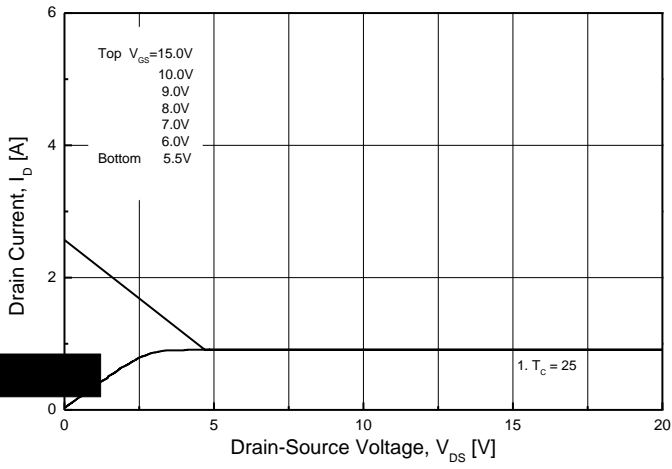
Electrical Characteristics : $T_C=25$, unless otherwise noted

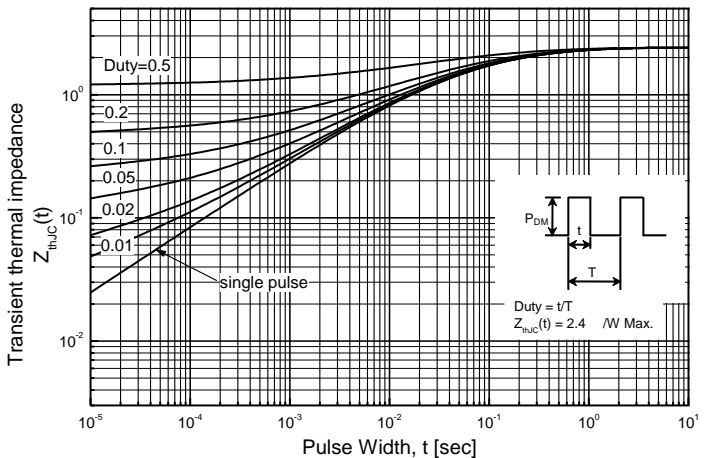
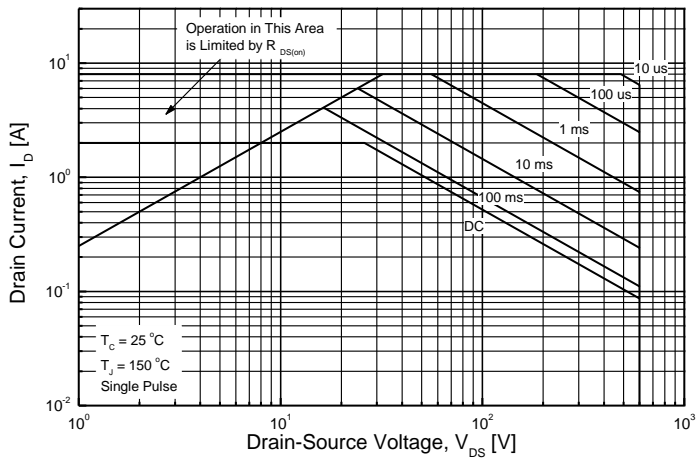
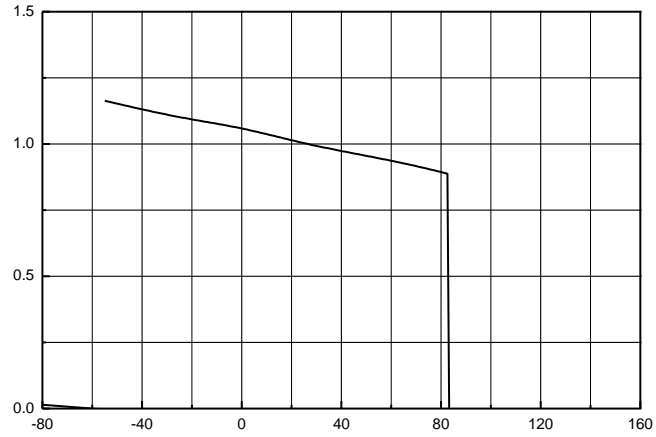
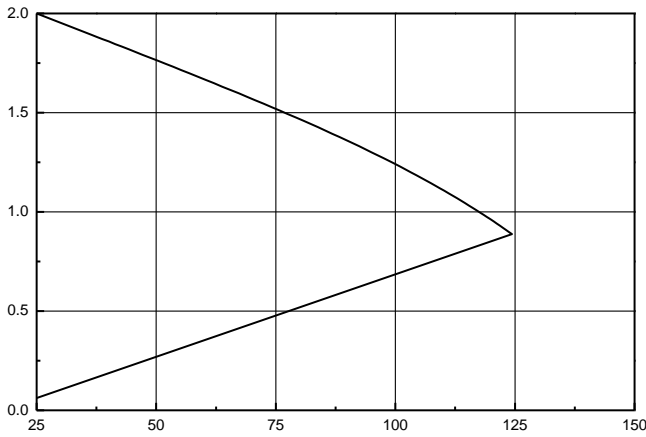
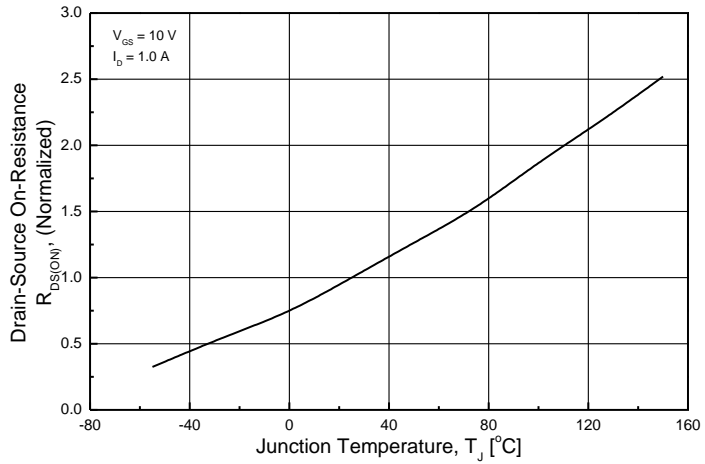
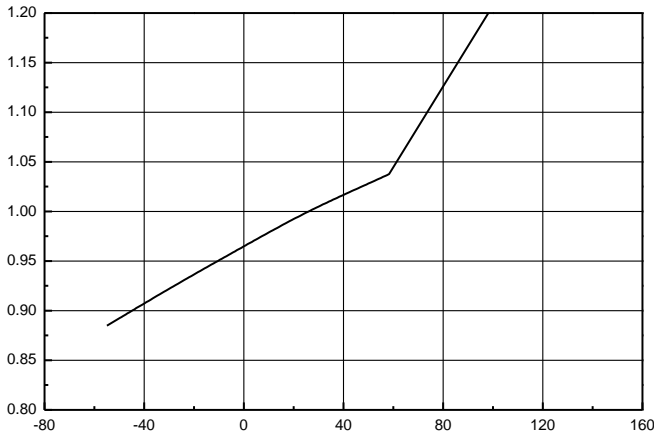
Note :

1. Repeated rating : Pulse width limited by safe operating area
2. $L=30.5\text{mH}$, $I_{AS} = 2.0\text{A}$, $V_{DD} = 50\text{V}$, $R_G = 25$, Starting $T_J= 25$
- 3 $I_{SD} = 2.0\text{A}$, $di/dt = 200\text{A}/\mu\text{s}$, $V_{DD} = 50\text{V}$, $R_{DS} = 25$, Starting $T_J= 25$

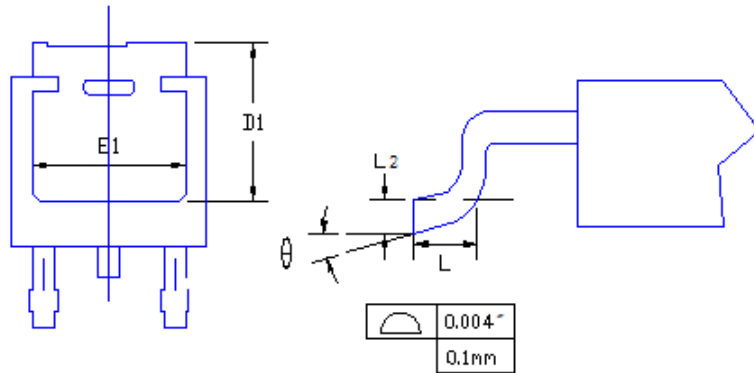
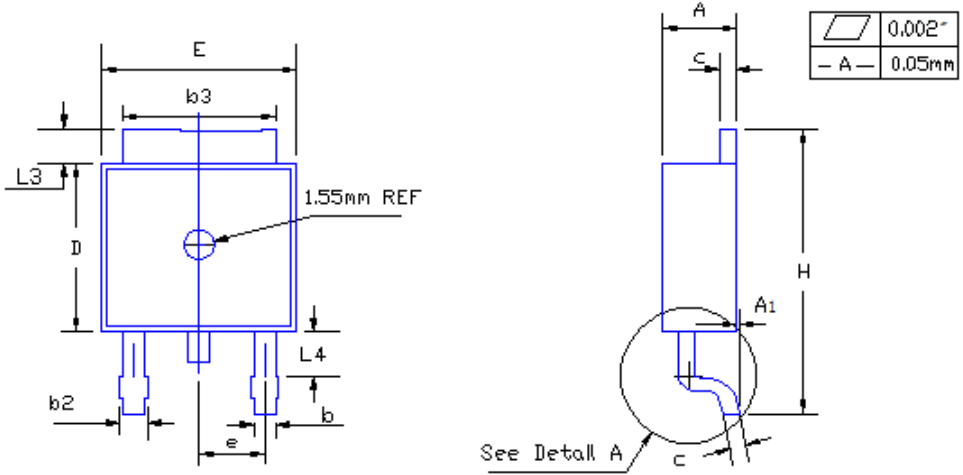


TMD2N60AZ(G)/TMU2N60AZ(G)



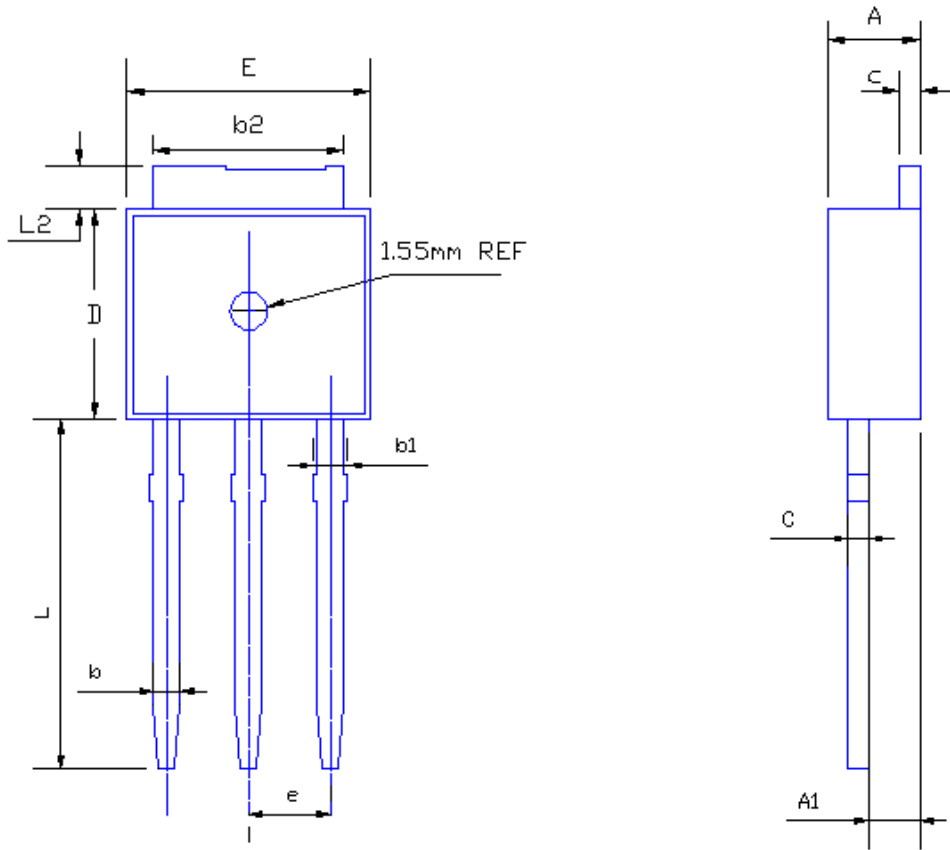


TO-252 (D-PAK) MECHANICAL DATA



SYMBOL	MILLIMETERS	
	MIN	MAX
A	2.19	2.38
A1	—	0.13
b	0.64	0.89
b2	0.84	1.14
b3	5.21	5.46
c	0.46	0.61
D	5.97	6.22
D1	5.21	—
E	6.35	6.73
E1	4.83	—
e	2.29BSC	
H	9.65	10.41
L	1.40	1.78
L2	0.51BSC	
L3	0.89	1.27
L4	0.64	1.01
⌀	0	8

TO-251 (I-PAK) MECHANICAL DATA



SYMBOL	MILLIMETERS	
	MIN	MAX
A	2.19	2.38
A1	1.04	1.23
b	0.64	0.89
b1	0.84	1.14
b2	5.23	5.48
c	0.46	0.61
D	5.91	6.28
E	6.21	6.59
e	2.28 TYP	
L	8.89	9.65
L2	0.89	1.27