

General Description

Features

 GreenMOS[®]

 RoHS
compliant

Applications

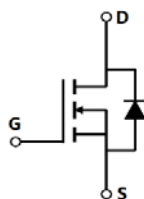
Key Performance Parameters

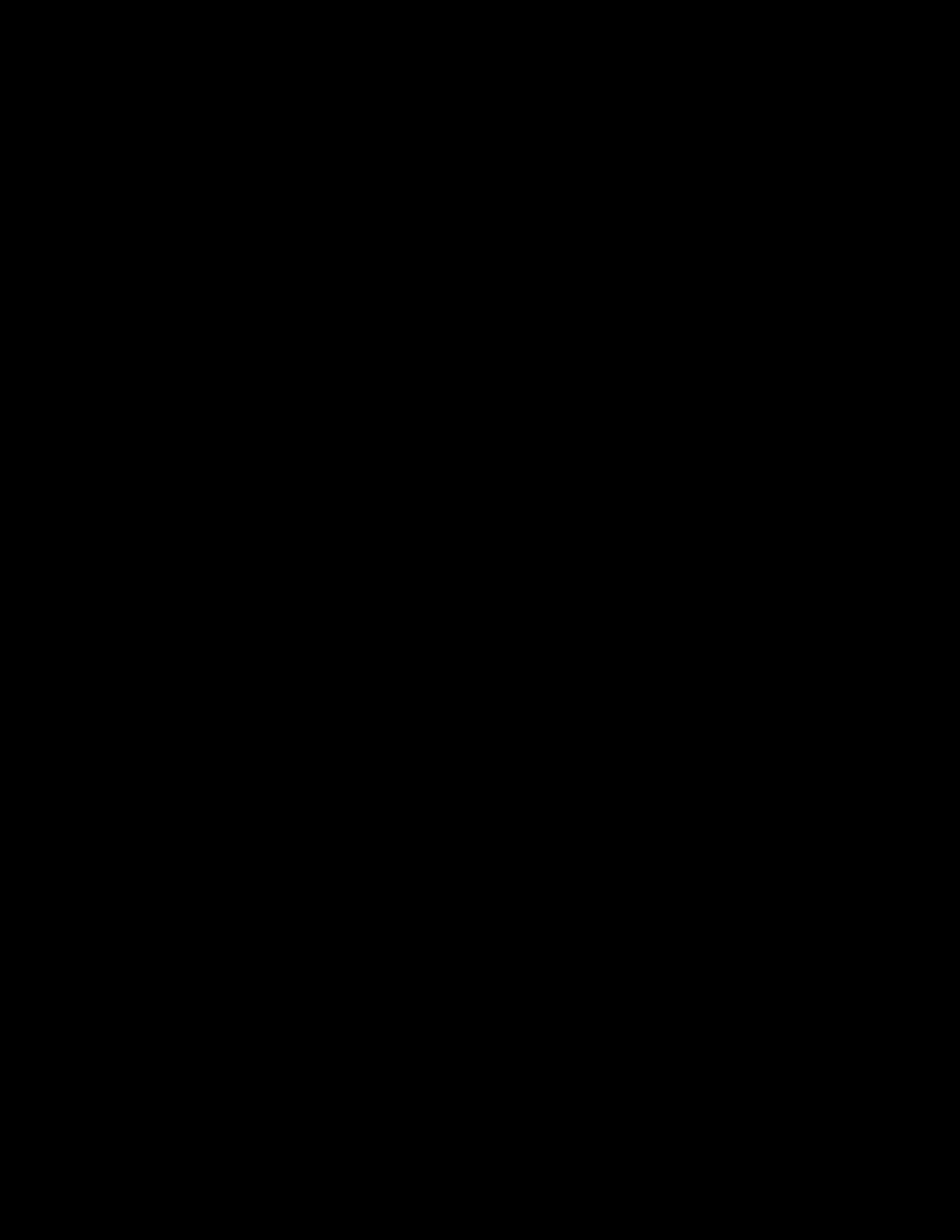
Parameter	Value	Unit

Marking Information

Product Name	Package	Marking

Package & Pin Information





Dynamic Characteristics

Parameter	Symbol	Min.	Typ.	Max.	Unit	Test condition

Electrical Characteristics Diagrams

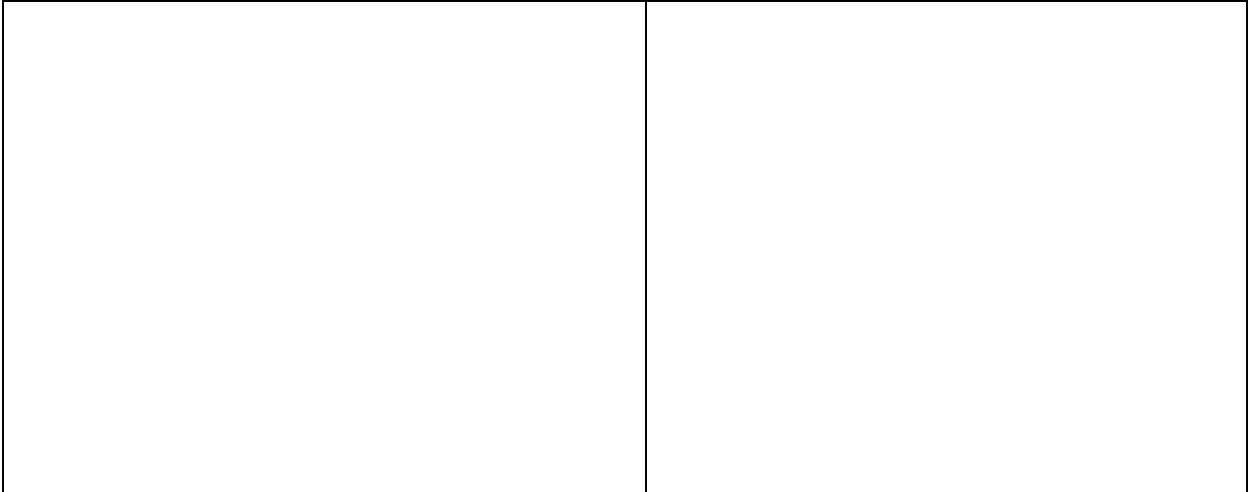


Figure 1. Typ. output characteristics

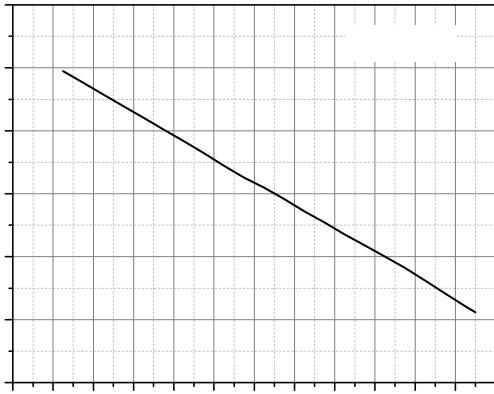


Figure 7. Threshold voltage

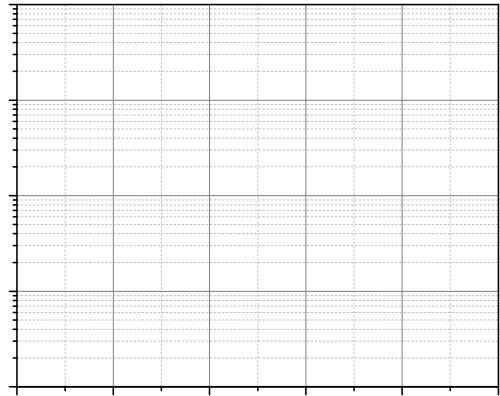


Figure 8. Forward characteristic of body diode

Figure 9. Drain-source on-state resistance

Figure 10. Drain current

Figure 11. Safe operation area $T_C=25\text{ }^\circ\text{C}$

Test circuits and waveforms

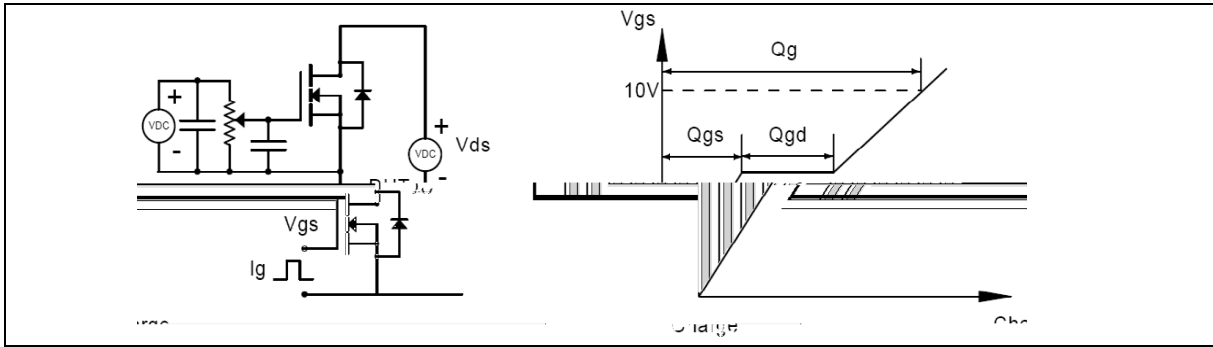


Figure 1. Gate charge test circuit & waveform

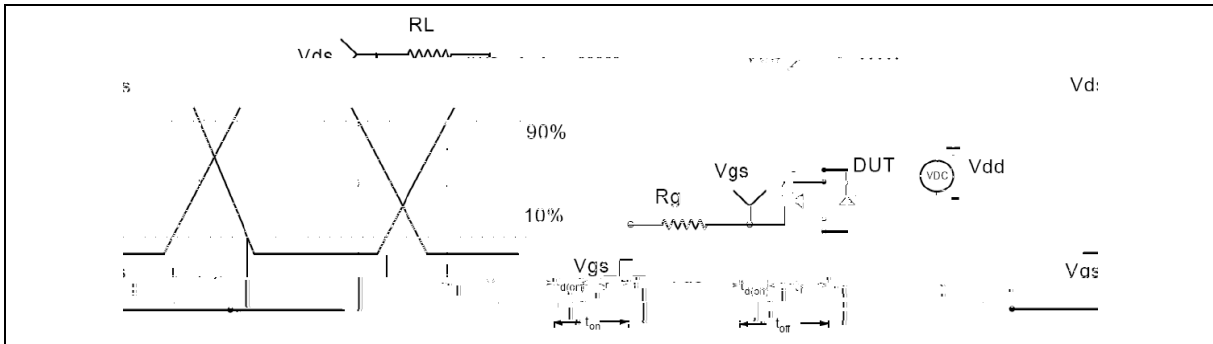


Figure 2. Switching time test circuit & waveforms

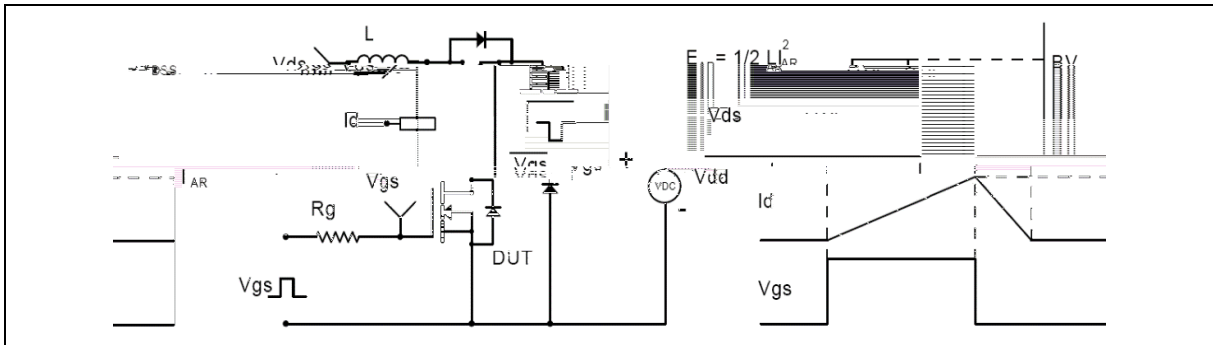


Figure 3. Unclamped inductive switching (UIS) test circuit & waveforms



Figure 4. Diode reverse recovery test circuit & waveforms

Ordering Information

Package Type	Units/ Tube	Tubes / Inner Box	Units/ Inner Box	Inner Boxes/ Carton Box	Units/ Carton Box

Product Information

Product	Package	Pb Free	RoHS	Halogen Free

Legal Disclaimer

© Oriental Semiconductor Co.,Ltd. All Rights Reserved 