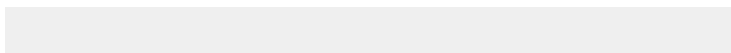


## General Description





**Dynamic Characteristics**

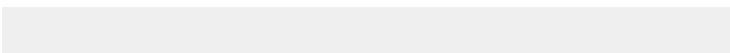
Parameter	Symbol	Min.	Typ.	Max.	Unit	Test condition

**Gate Charge Characteristics**

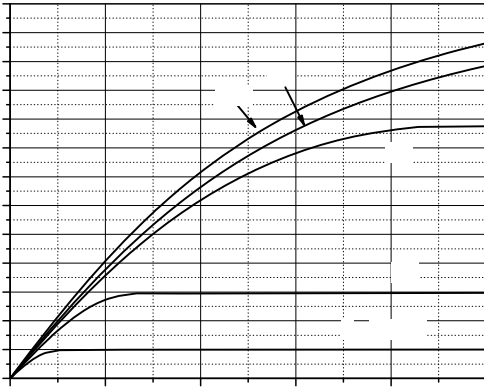
Parameter	Symbol	Min.	Typ.	Max.	Unit	Test condition

**Body Diode Characteristics**

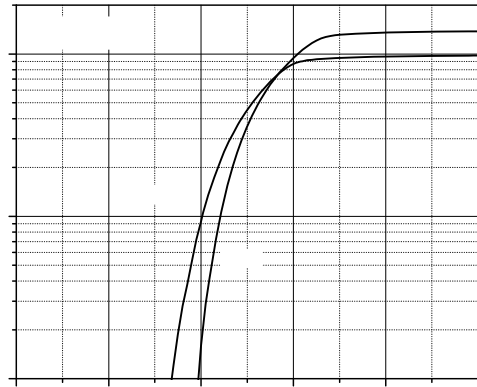
Parameter	Symbol	Min.	Typ.	Max.	Unit	Test condition

**Note**


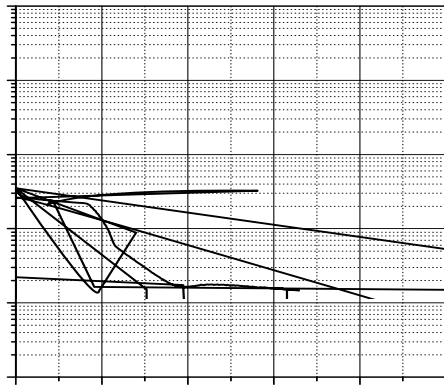
### Electrical Characteristics Diagrams



**Figure 1. Typ. output characteristics**



**Figure 2. Typ. transfer characteristics**

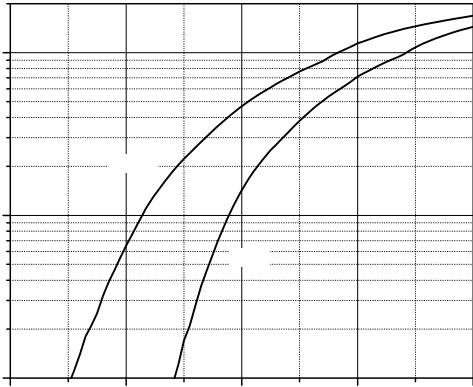


**Figure 3. Typ. capacitances**

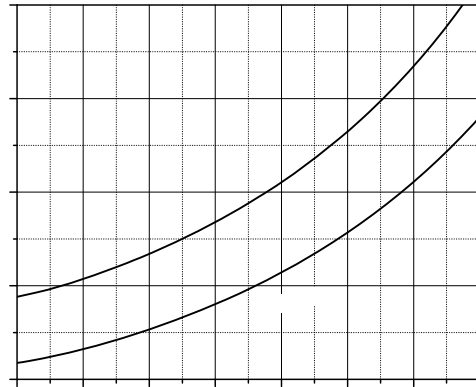
**Figure 4. Typ. gate charge**

**Figure 5. Drain-source breakdown voltage**

**Figure 6. Drain-source on-state resistance**



**Figure 7. Forward characteristic of body diode**

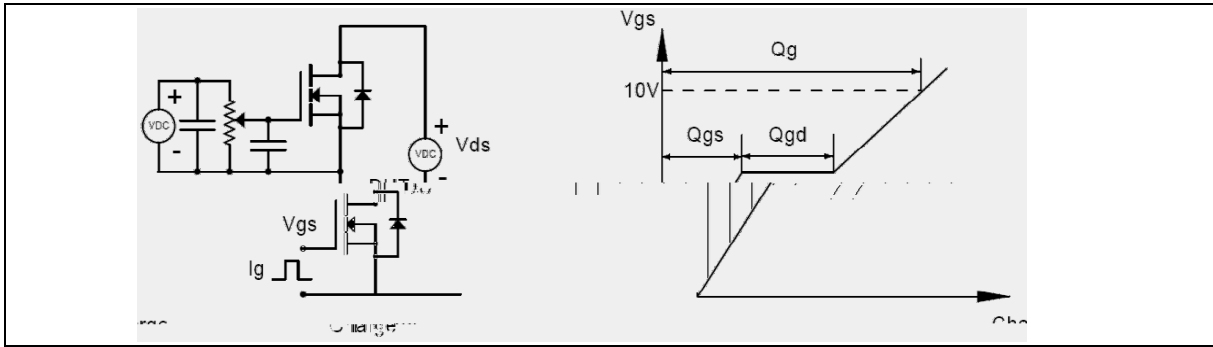


**Figure 8. Drain-source on-state resistance**

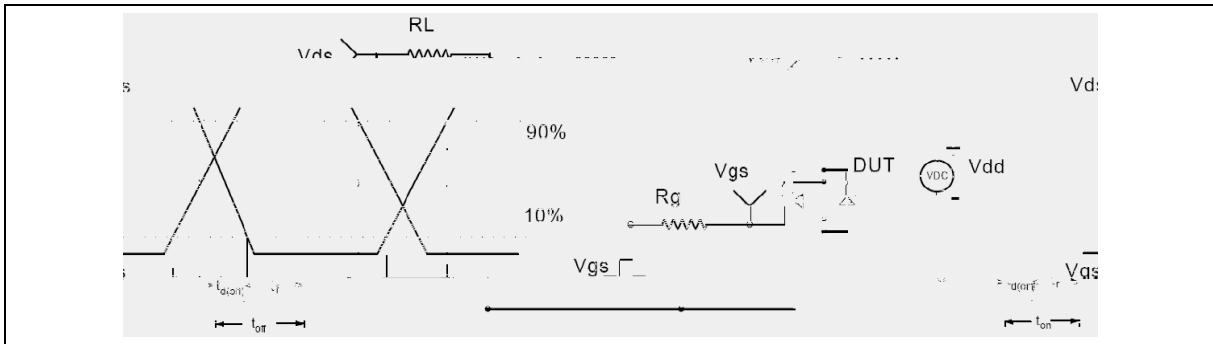
**Figure 9. Drain current**

**Figure 10. Safe operation area  $T_C=25\text{ }^\circ\text{C}$**

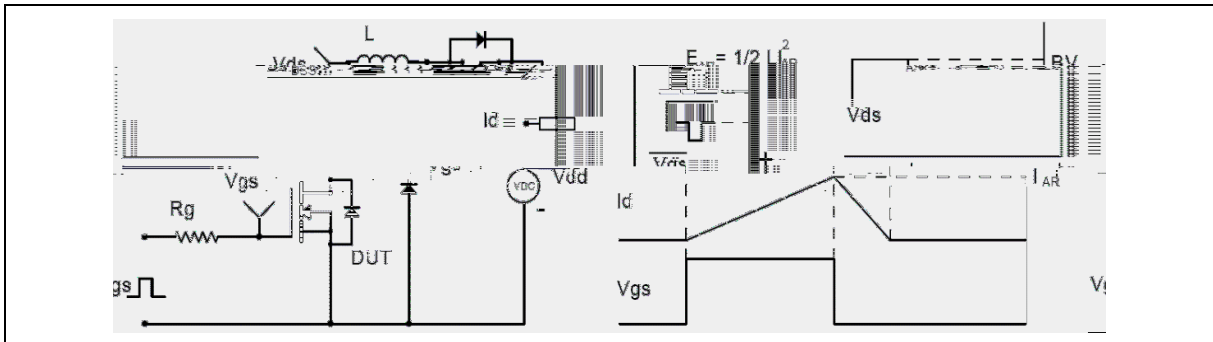
**Test circuits and waveforms**



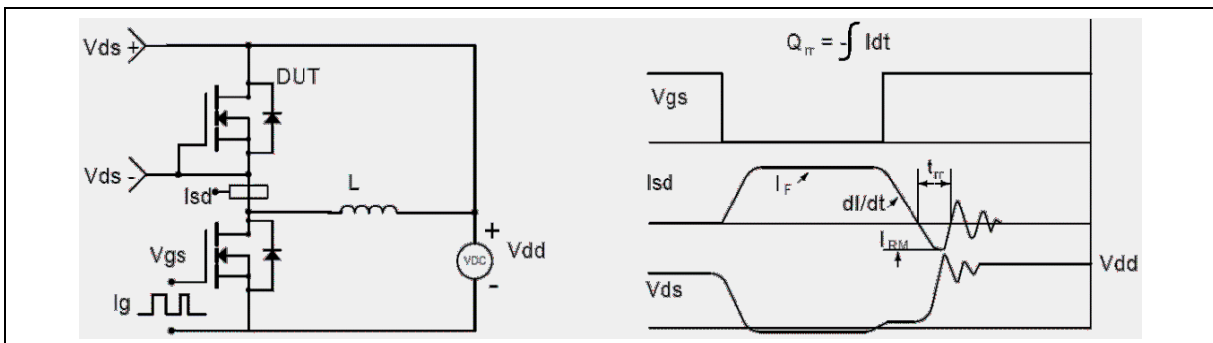
**Figure 1. Gate charge test circuit & waveform**



**Figure 2. Switching time test circuit & waveforms**



**Figure 3. Unclamped inductive switching (UIS) test circuit & waveforms**



**Figure 4. Diode reverse recovery test circuit & waveforms**



**Ordering Information**

Package Type	Units/ Reel	Reels / Inner Box	Units/ Inner Box	Inner Box/ Carton Box	Units/ Carton Box

**Product Information**

Product	Package	Pb Free	RoHS	Halogen Free

**Legal Disclaimer**

---

© Oriental Semiconductor Co.,Ltd. All Rights Reserved 