

*HQHUDO 'HVFULSWLRQ

7KH *UHHQ 026K YROWDJH 026)(7 XWLOLJHV FKDUH HE B D Q M D Q G H F Q R
ORZ RQ UHVLVWDQFH DQG ORZHU JDWELPK DU JFR Q, QX ELWLROJ ORHWU HSQ
VXSHULRU VZLWFK DQG SURRERU WDDQFDODQFKH FDSDELOLW\
7KH *UHHQ 026K HULF VHULHV LV RSWLPLJHG IRU HWURUPHQ L VZJHWFKLQ
VZLWFKLQJ ORVV ,W LV WDLORUHGRU W WBJR HS RZ HWK B HQLVKM V D SHS
VWDQGDUGV

)HDWXUHV

y /RZ 521)20
y ([WUHPHO\ ORZ VZLWFKLQJ ORVV
y ([FHOHQW VWDELOLW\ DQG XQLRUPLW\

\$SSOLFDWLRQV

y 3 & SRZHU
y /(' OLJKWLQJ
y 7HOFRP SRZHU
y 6HUYHU SRZHU
y (9 & KDUJHU
y 6RODU 836

. H \ 3 H U I R U P D Q F H 3 D U D P H W H U V

3DUDPHWHU	9DOXH	8QLW
9 ₆ PL# 7 _M PD[9
, SXOVH		\$
5 ₆ 21 PD[# 9 ₆ 9		P
4 _J		Q &

0DUNLQJ ,QIRUPDWLRQ

3URGXFW 1DPH	3DFNDJH	0DUNLQJ
26* 5))	72)	26* 5)

\$EVROXWH 0D[LPXDPW5D &KQCNVV RWKHUZZLVH QRWHG

3DUDPHWHU	6\PERO	9DOXH	8Q
'UDLQ VRXUFH YROWDJH	'6	9	9
*DWH VRXUFH YROWDJH	*6	9	
&RQWLQXR XV GUDLQ FXUUHQW			\$
&RQWLQXR XV GUDLQ FXUUHQW			
3XOVHG GUDLQ FXUUHQW	' \$XOVH		\$
&RQWLQXR XV GLRGH IRUZDUG FXUUHQW,			
'LRGH SXOVHG FXUUHQW	6 ,SXOVH		\$
3RZHU GLVVZSDW&RQ	'3		
6LQJOH SXOVHG DYDODQFKH HQHUJ\	\$6		P-
026)(7 GY GW UXJH HQHUV 9	GY GW		9 QV
5HYHUVH GLRGH «GY \$W,» ;9	GY GW		9 QV
2SHUDWLRQ DQG VWRUDJH WHPSHUDWXUH	WR		f&

7KHUPDO &KDUDFWHULVWLFV

3DUDPHWHU	6\PERO	9DOXH	8Q
7KHUPDO UHVLVWDQFH MXQFWLRQ FDV&H			5
7KHUPDO UHVLVWDQFH MXQFWLRQ DPELHQW			f& : 5

(OHFWULFDO &KDUDFWHULVWLFV RWKHUZZLVH VSHFLILHG

3DUDPHWHU	6\PERO	0LQ	7\ S	0D[8QLW	7HVW
'UDLQ VRXUFH EUHDNGRZQ YROWDJH	9 ⁶ 9 ⁶		9	9 ⁶ 9 ⁶ , P\$		
*DWH WKUHVKROG YROWDJH	9 ⁶ WK			9 ⁶ 9 ⁶ , P\$		
'UDLQ VRXUFH RQ VWDWH UHVLVWDQFH	5 ⁶ 2 ⁶			9 ⁶ 9 ⁶ , \$		
*DWH VRXUFH OHDNDJH FXUUHQW	1 ⁶ 6 ⁶		Q\$	9 ⁶ 9 ⁶ , \$		
'UDLQ VRXUFH OHDNDJH FXUUHQW	1 ⁶ 6 ⁶			9 ⁶ 9 ⁶ , \$		

'\QDPLF &KDUDFWHULVWLFV

3DUDPHWHU		6\PERO	0LQ	7\S	0D[8QLW	7H
,QSXW FDSDFLWDQFH LVV			&	S)	9 ⁶ 9		
2XWSXW FDSDFLWDQFH RVV			&	S)	9 ⁶ 9		
5HYHUVH WUDQVIHU FDSDFLWDQFH			&	S)	0+		
7XUQ RQ GHOD\ WLP HGRQ			W	QV			
5LVH WLP H	U	W		QV	9 ⁶ 9		
7XUQ RII GHOD\ WLP HGRII			W	QV	5 [*] \$		
)DOO WLP H	I	W		QV			

*DWH &KDUJH &KDUDFWHULVWLFV

3DUDPHWHU		6\PERO	0LQ	7\S	0D[8QLW	7H
7RWDO JDWH FKDUJH J			4	Q&			
*DWH VRXUFH FKDUJH JV			4	Q&	9 ⁶ 9		
*DWH GUDLQ FKDUJH JG			4	Q&	9 ⁶ \$		
*DWH SODWHDX YROWDWHDX			9	9			

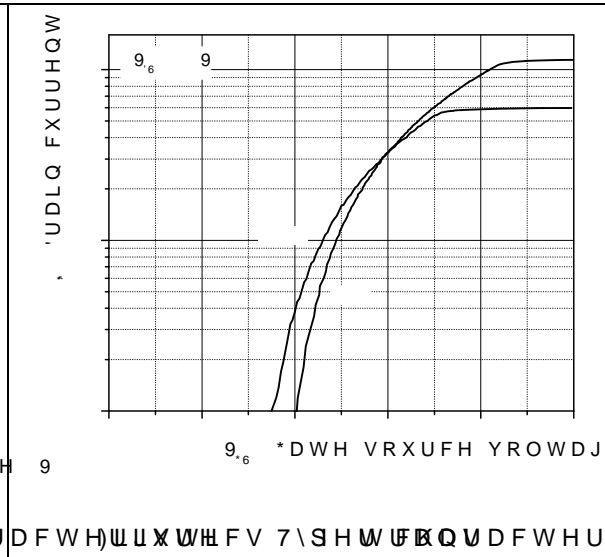
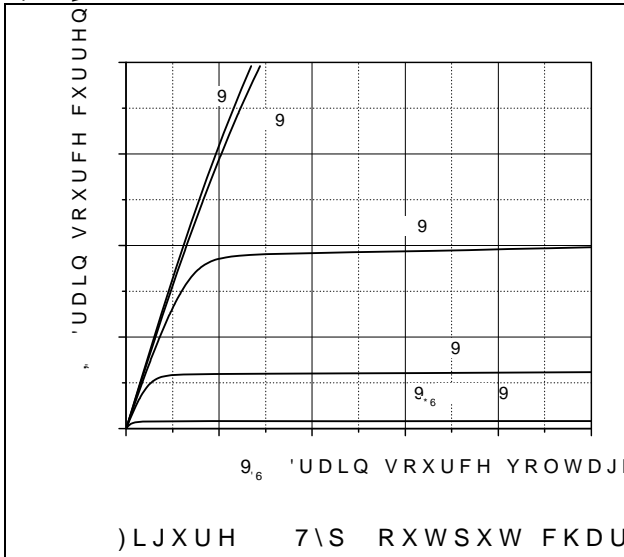
%RG\ 'LRGH &KDUDFWHULVWLFV

3DUDPHWHU		6\PERO	0LQ	7\S	0D[8QLW	7H
'LRGH IRUZDUG YROWDWH			9	9	\$		
5HYHUVH UHFRYHU\ WLP H			W	QV	9 ⁵ 9		
5HYHUVH UHFRYHU\ FKDUJH			4	&	\$		
3HDN UHYRYHU\ UHFUHQW			,	\$	GL GW	\$ V	

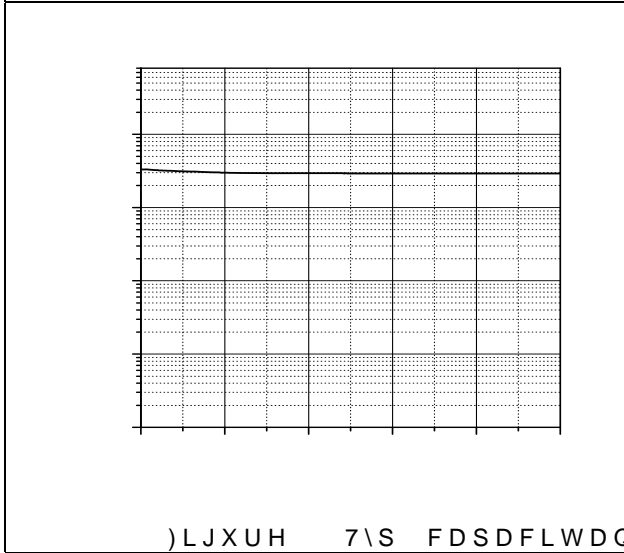
1RWH

&DOFXODWHG FRVWELDQXRGX R QF PDULHQX FV DLOQR ZDHFSSH MDXQXUH
 5HSHWLWLYH UDWLQJLSXOGHEZEQHUMXQEWMLRQWHPS
 3GLVEDVHG RQPD[MXQFWLRQWHPSKHDFXOHXVLMQDQKQFWLR
 7KH YDOXHLPEDVXUHG ZLWK WKH GHYLFH PRXQVHGRSSHULQ)5
 LQD VWLOO DLUHQYFQRPHQW ZLWK 7
 9 9 9 / P+ VWDUW&QJ 7

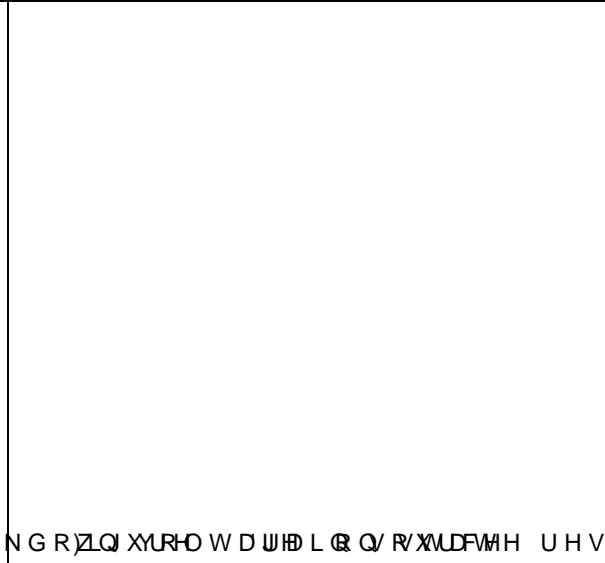
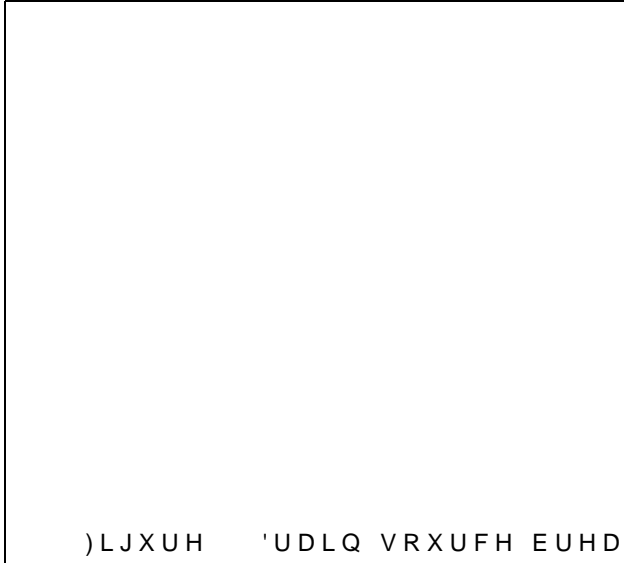
(O...FWULFDO &KDUDFWHULV...WLFV 'LDJUDPV



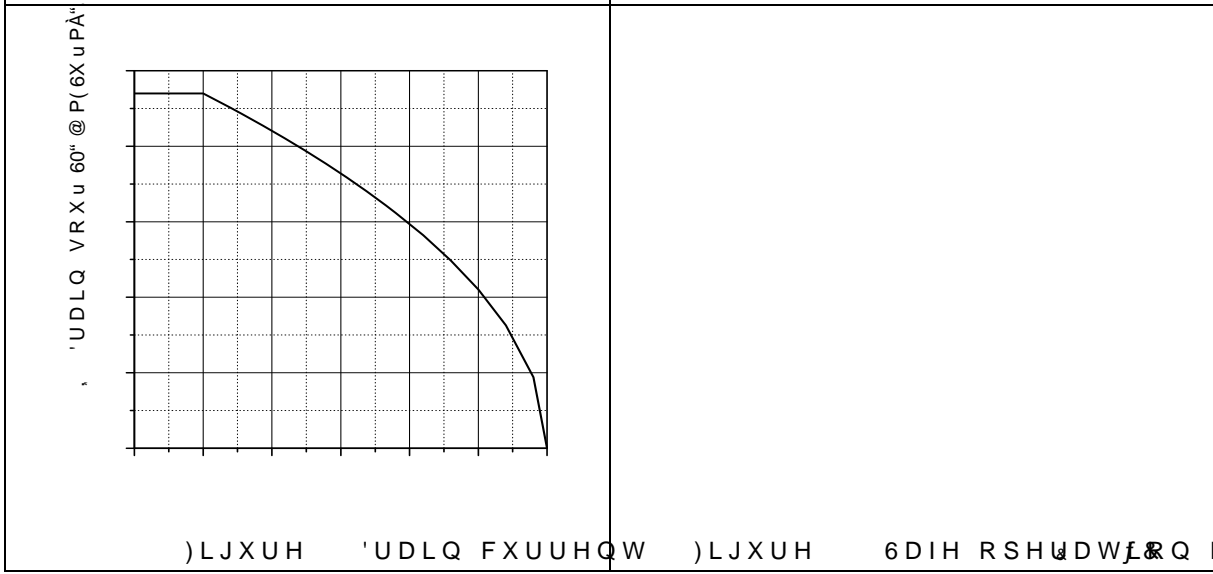
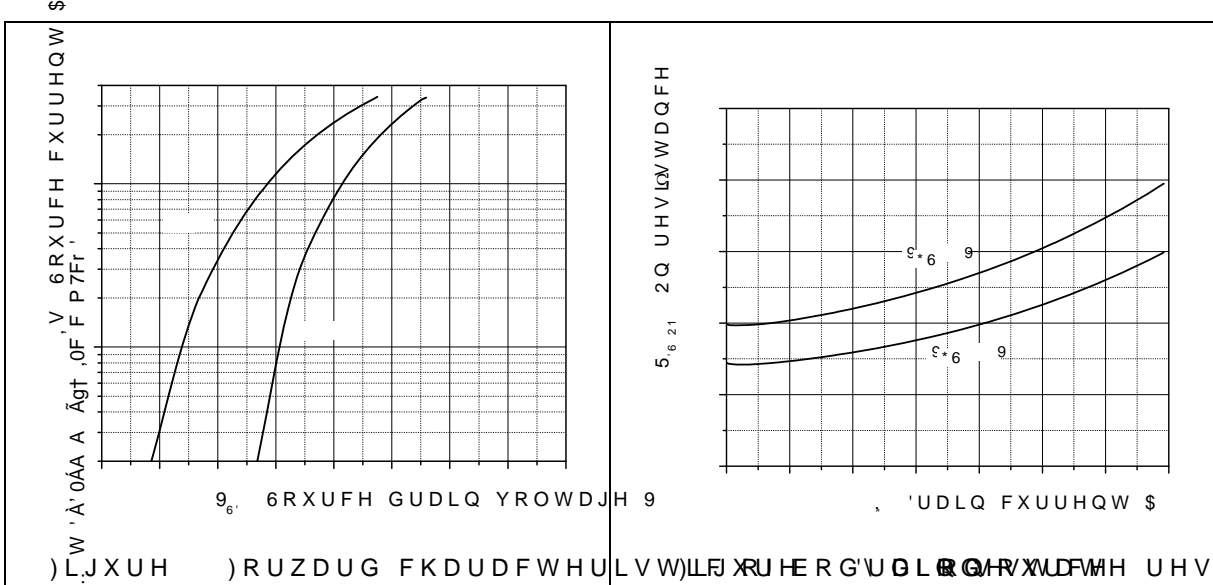
)LJXUH 7\ S RXWSXW FKDU...DFWHULV...WLFV 7\SH...DFWHULV...WLFV



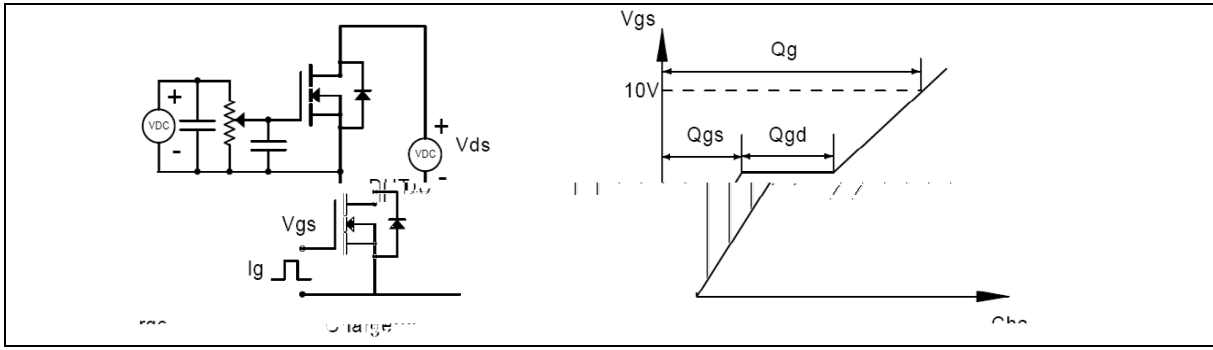
)LJXUH 7\ S FDSDFLWDQ...FHV)LJXUH 7\ S JDWH FKDU...JH



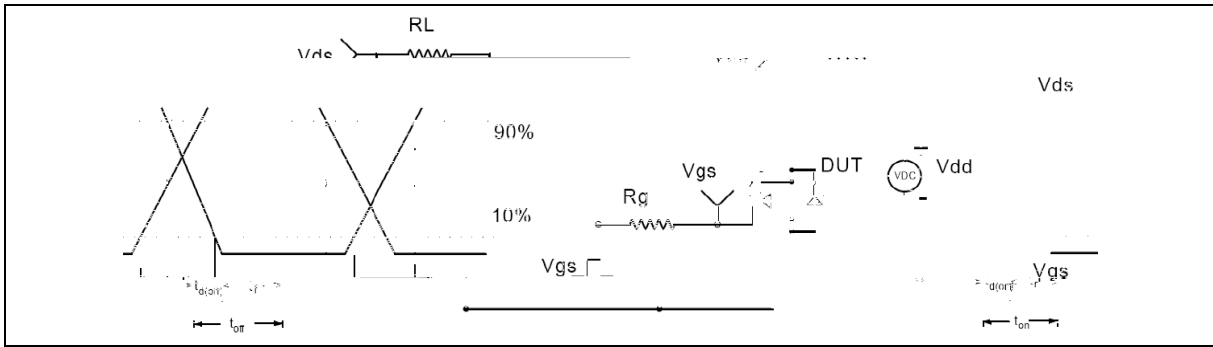
)LJXUH 'UDLQ VRXUFH EUHDNGR...ZLQ X...FDWH UHV...VWDQFH



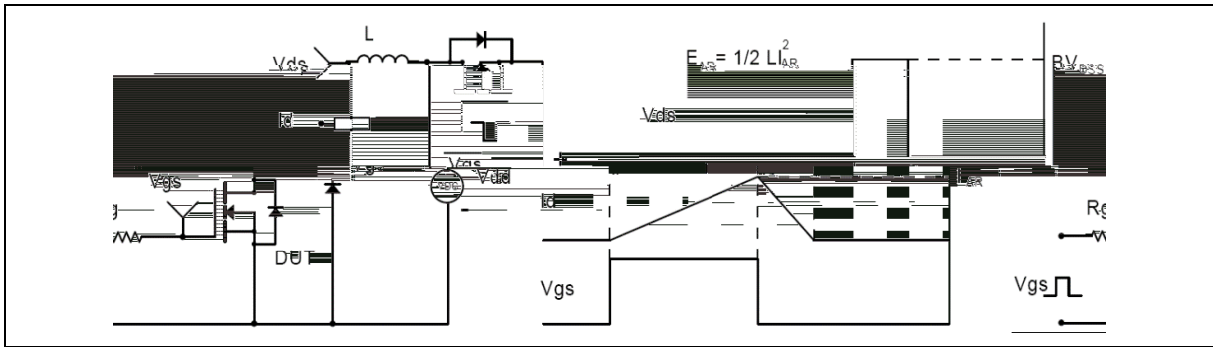
7HVW FLUFXLWV DQG ZDYHIRUPV



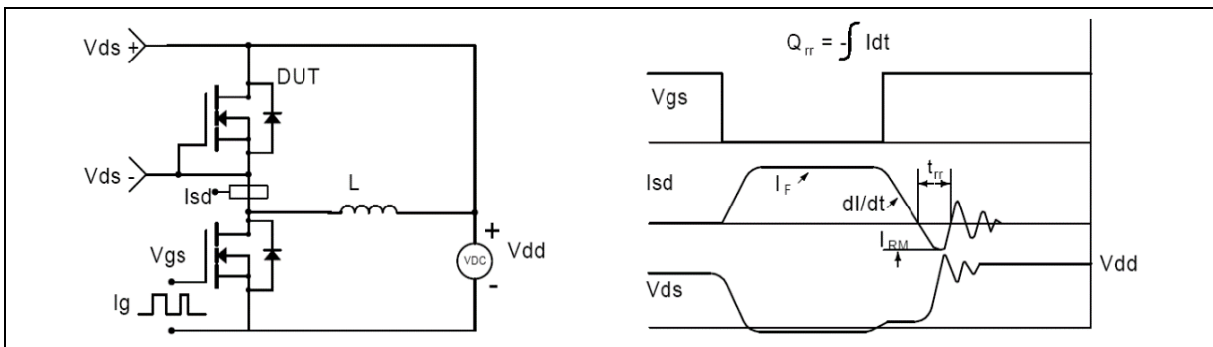
)LJXUH *DWH FKDUJH WHVW FLUFXLWV ZDYHIRUP



)LJXUH 6ZLWFKLQJ WLPH WHVW FLUFXLWV ZDYHIRUP

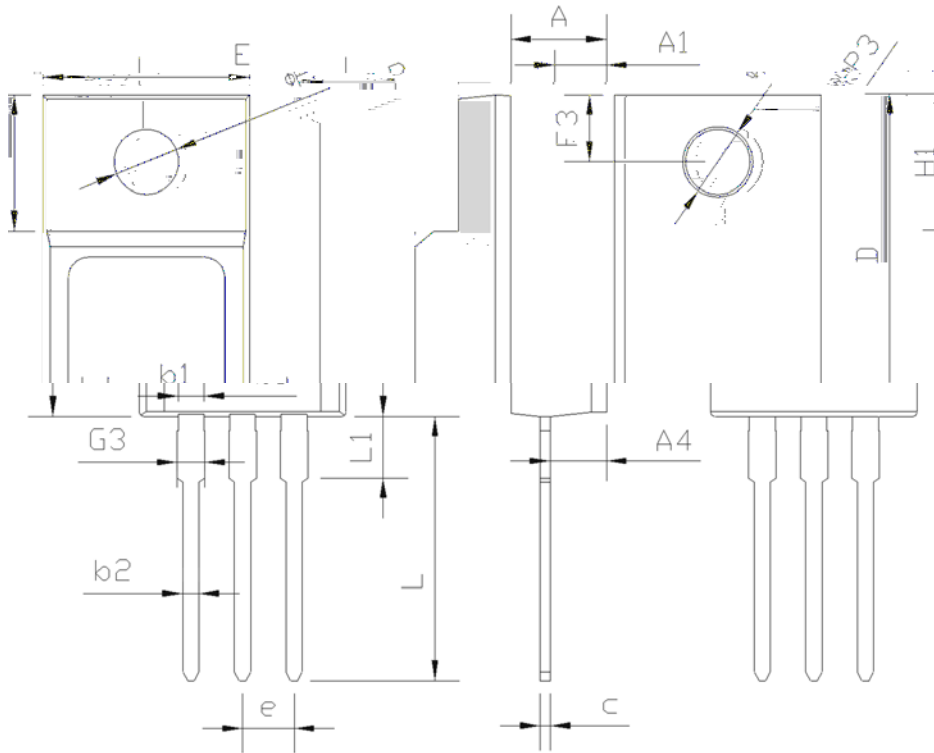


)LJXUH 8QFODPSHG E&G&JF WLPH WHVW FLUFXLWV ZD



)LJXUH 'LRGH UHWHVW WHVW FLUFXLWV ZDYHIRUPV

3DFNDJH ,QIRUPDWLRQ



6 \ PERC	PP		
	0LQ	1RP	0D
(
\$			
\$			
\$			
F			
'			
+	5 ()		
H	% 6 &		
/			
/			
-3			
-3			
)			
*			
E			
E			

9HUVLRQ 72) & RXWOLQH GLPHQVLRQ

o

3

o

3 26*_o 5))

3