

## General Description

## Features



## Applications

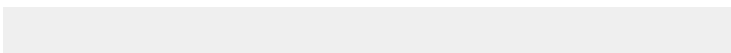
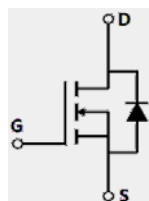
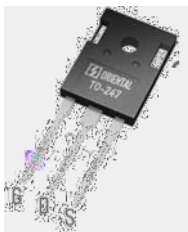
## Key Performance Parameters

Parameter	Value	Unit

## Marking Information

Product Name	Package	Marking

## Package & Pin Information





**Dynamic Characteristics**

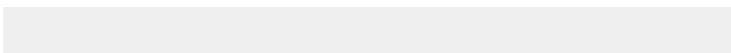
Parameter	Symbol	Min.	Typ.	Max.	Unit	Test condition

**Gate Charge Characteristics**

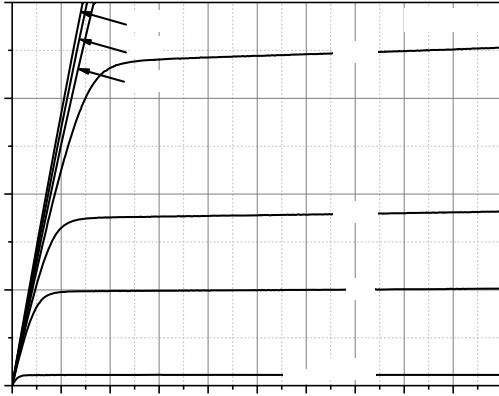
Parameter	Symbol	Min.	Typ.	Max.	Unit	Test condition

**Body Diode Characteristics**

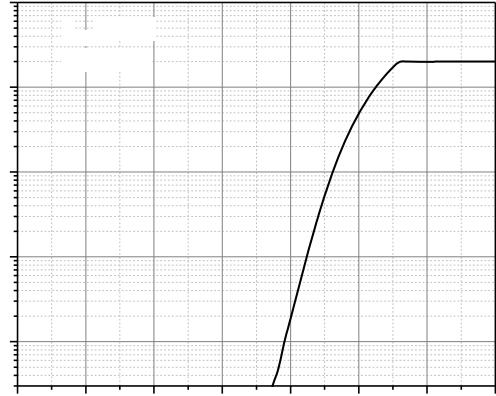
Parameter	Symbol	Min.	Typ.	Max.	Unit	Test condition
						V <sub>R</sub> = 400 V

**Note**


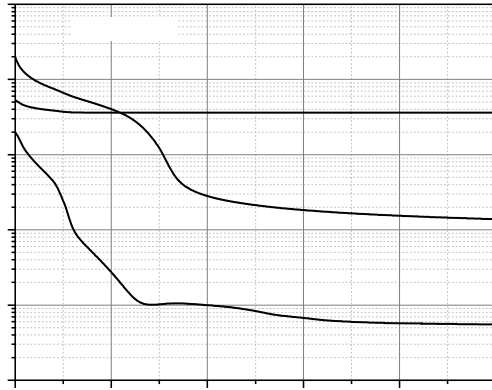
### Electrical Characteristics Diagrams



**Figure 1. Typ. output characteristics**



**Figure 2. Typ. transfer characteristics**

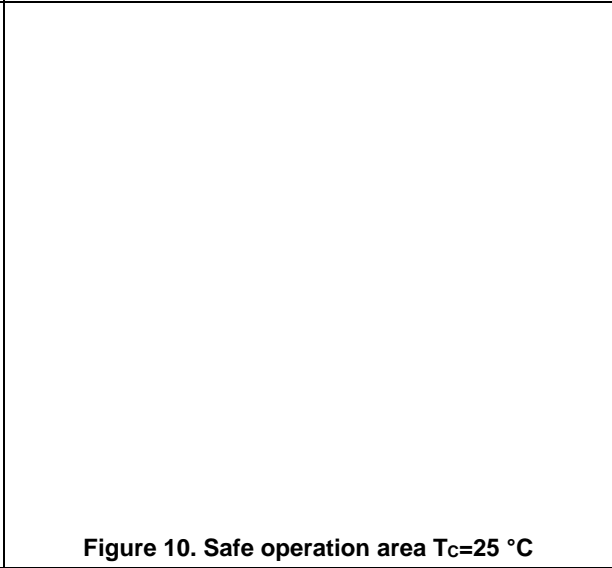
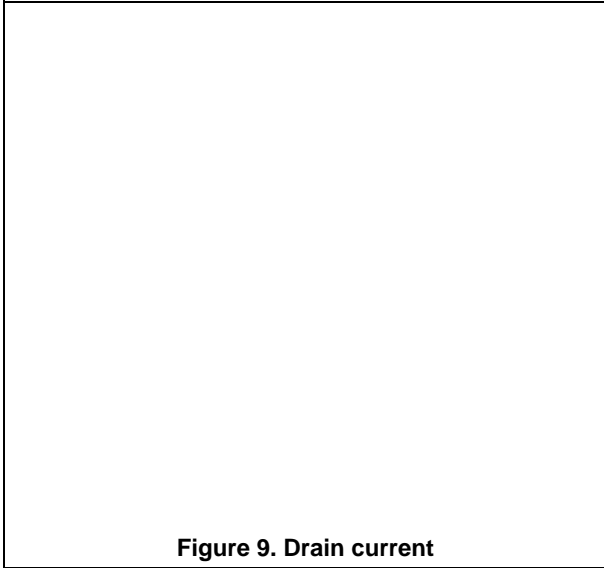
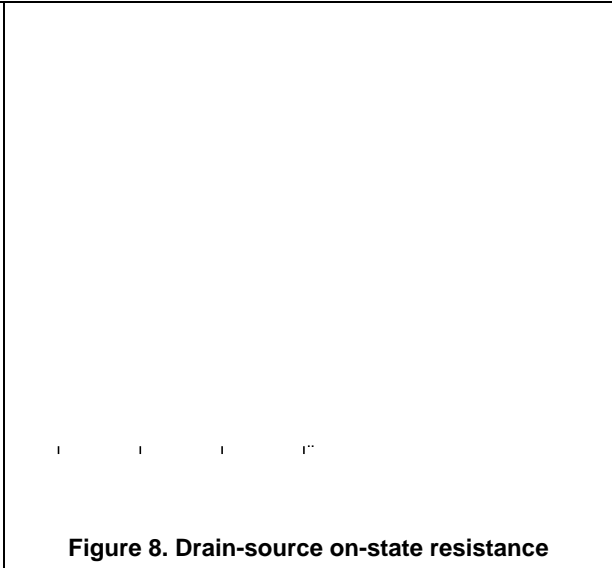
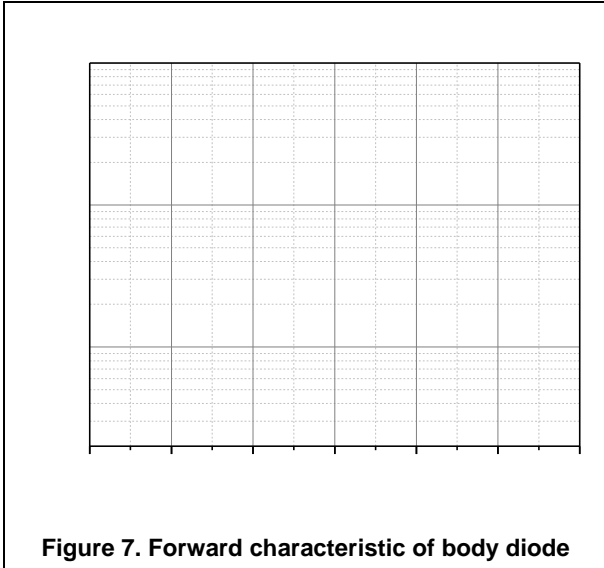


**Figure 3. Typ. capacitances**

**Figure 4. Typ. gate charge**

**Figure 5. Drain-source breakdown voltage**

**Figure 6. Drain-source on-state resistance**



Test circuits and waveforms

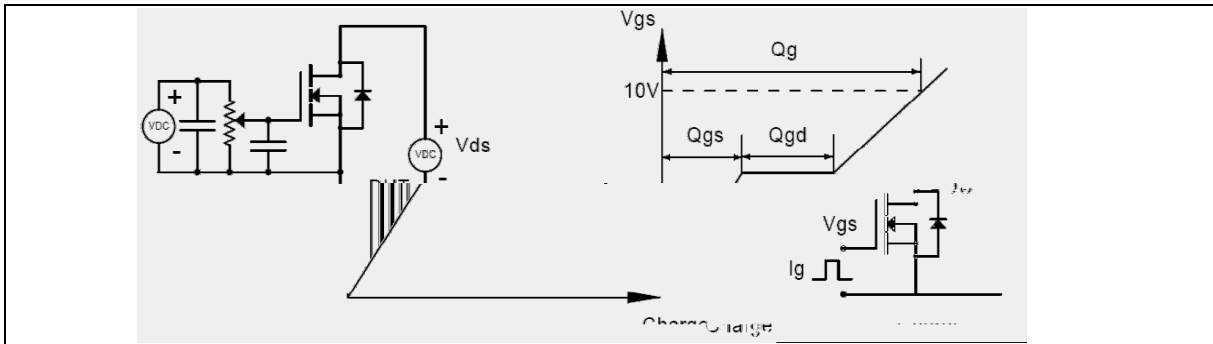


Figure 1. Gate charge test circuit & waveform

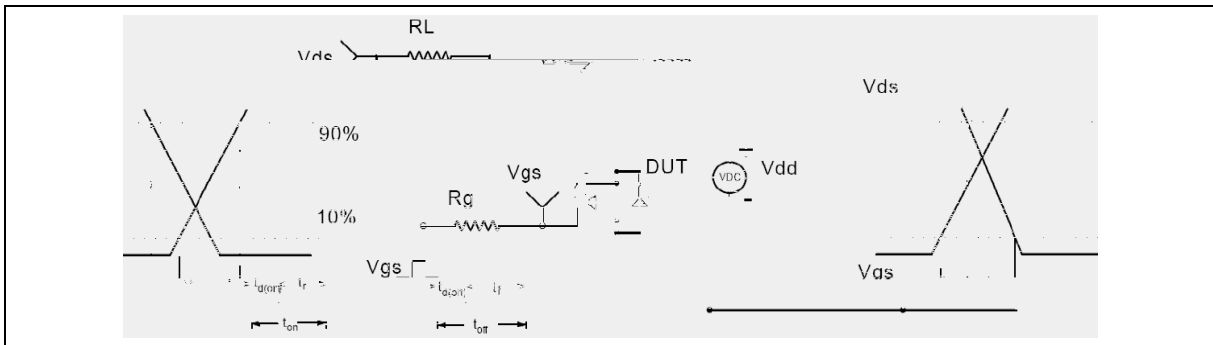


Figure 2. Switching time test circuit & waveforms

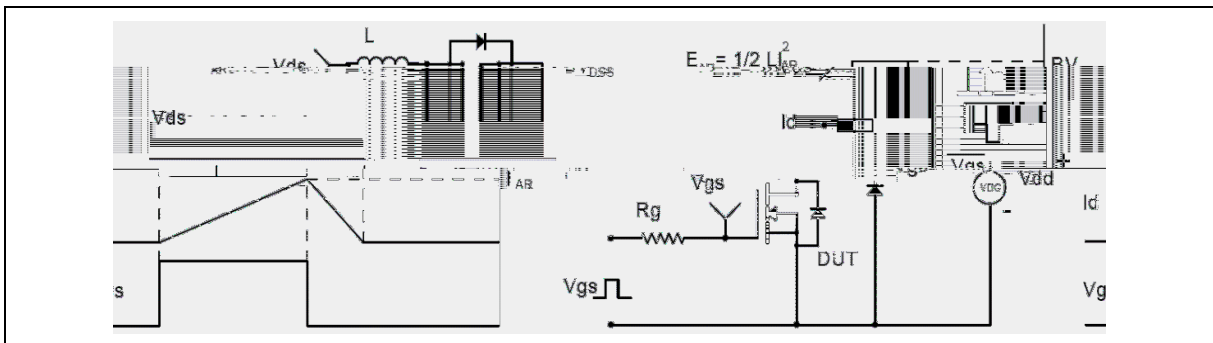


Figure 3. Unclamped inductive switching (UIS) test circuit & waveforms

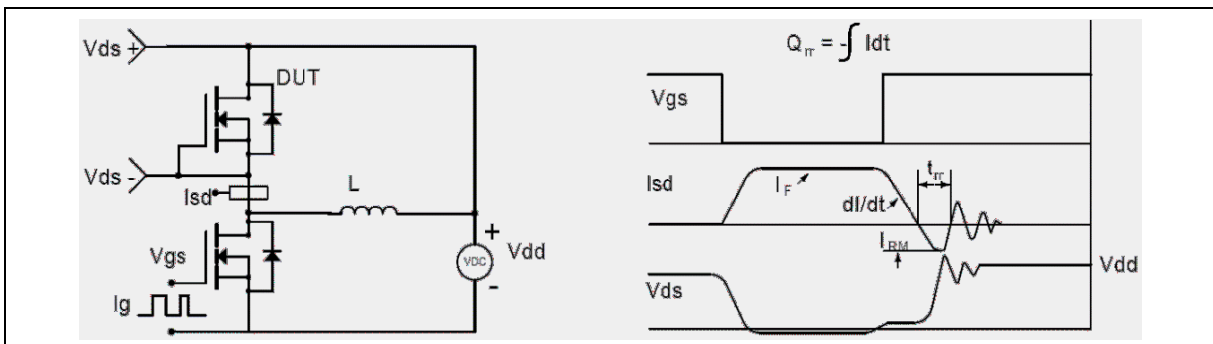
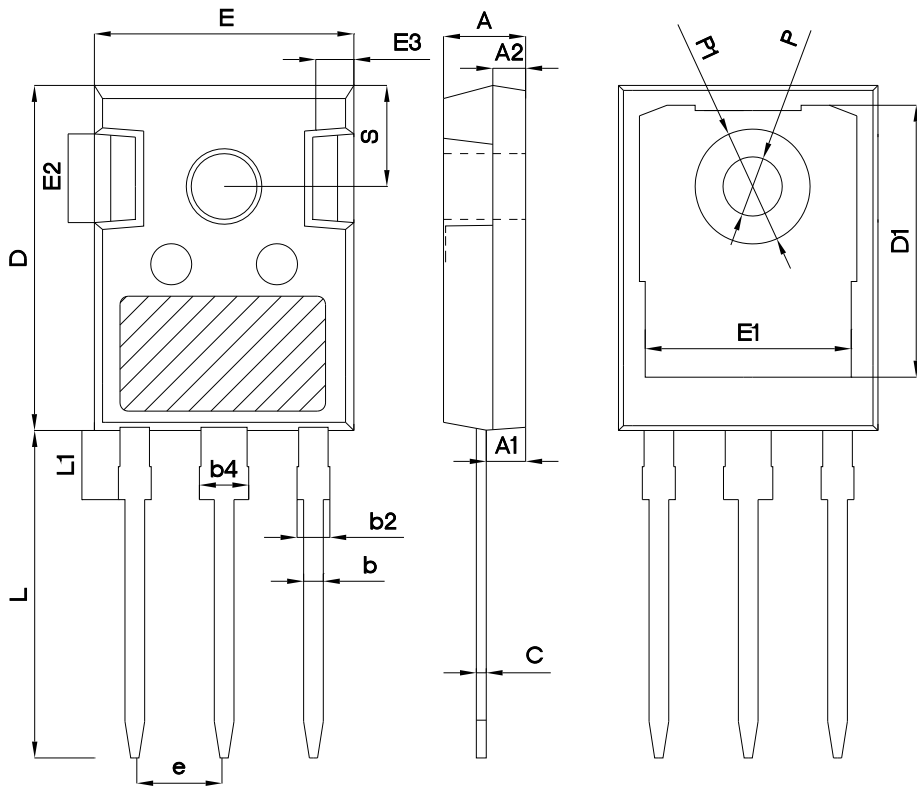


Figure 4. Diode reverse recovery test circuit & waveforms

Package Information




**Ordering Information**

Package Type	Units/ Tube	Tubes/ Inner Box	Units/ Inner Box	Inner Boxes/ Carton Box	Units/ Carton Box

**Product Information**

Product	Package	Pb Free	RoHS	Halogen Free

**Legal Disclaimer**

---

© Oriental Semiconductor Co.,Ltd. All Rights Reserved 