



General Description

Features

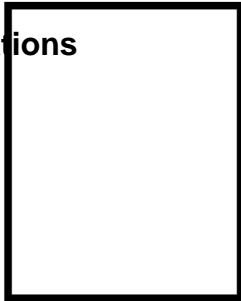
-
-
-

GreenMOS[®]

RoHS
compliant

Applications

-
-
-
-
-
-
-



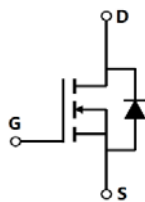
Key Performance Parameters

Parameter	Value	Unit

Marking Information

Product Name	Package	Marking

Package & Pin Information



Dynamic Characteristics

Parameter	Symbol	Min.	Typ.	Max.	Unit	Test condition

Gate Charge Characteristics

Parameter	Symbol	Min.	Typ.	Max.	Unit	Test condition

Body Diode Characteristics

Parameter	Symbol	Min.	Typ.	Max.	Unit	Test condition

Note

Electrical Characteristics Diagrams

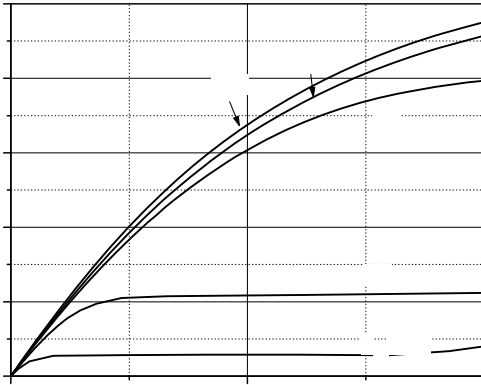


Figure 1. Typ. output characteristics

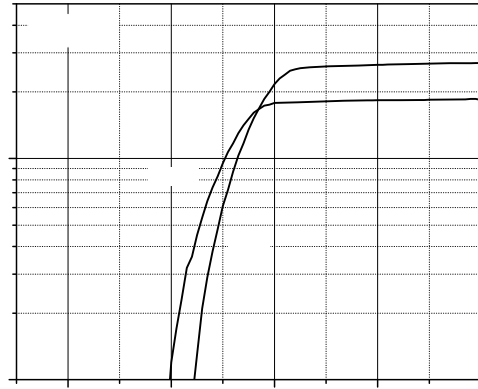


Figure 2. Typ. transfer characteristics

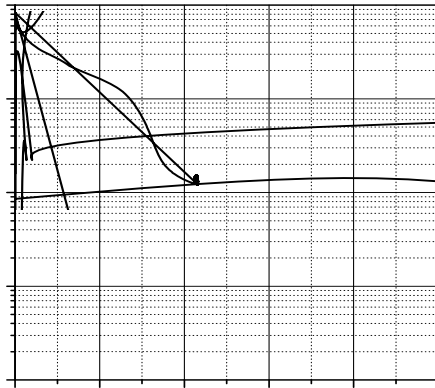


Figure 3. Typ. capacitances

Figure 4. Typ. gate charge

Figure 5. Drain-source breakdown voltage

Figure 6. Drain-source on-state resistance

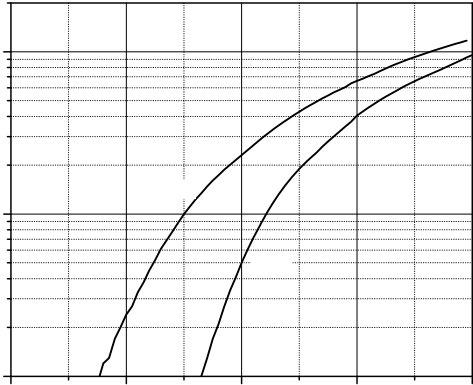


Figure 7. Forward characteristic of body diode

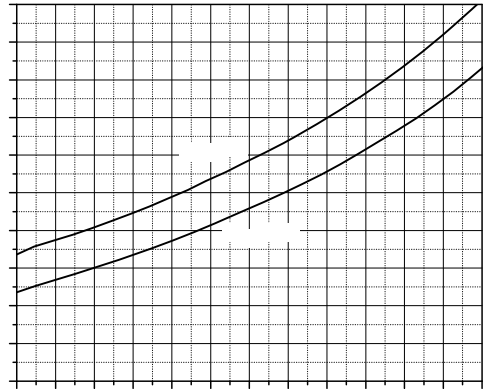


Figure 8. Drain-source on-state resistance

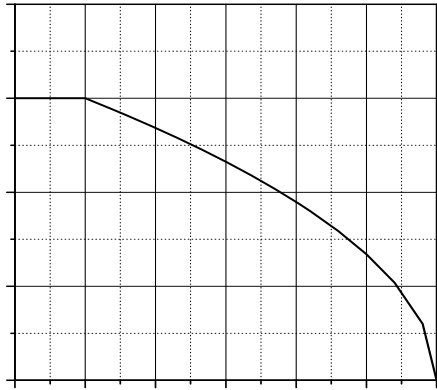


Figure 9. Drain current

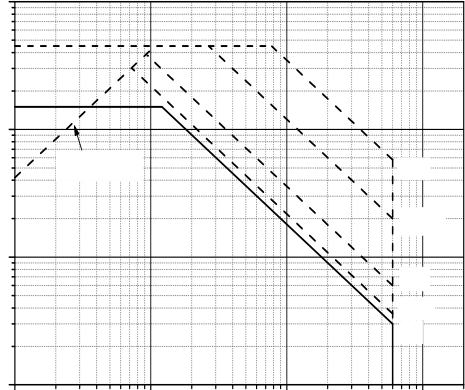


Figure 10. Safe operation area $T_c=25\text{ °C}$

Test circuits and waveforms

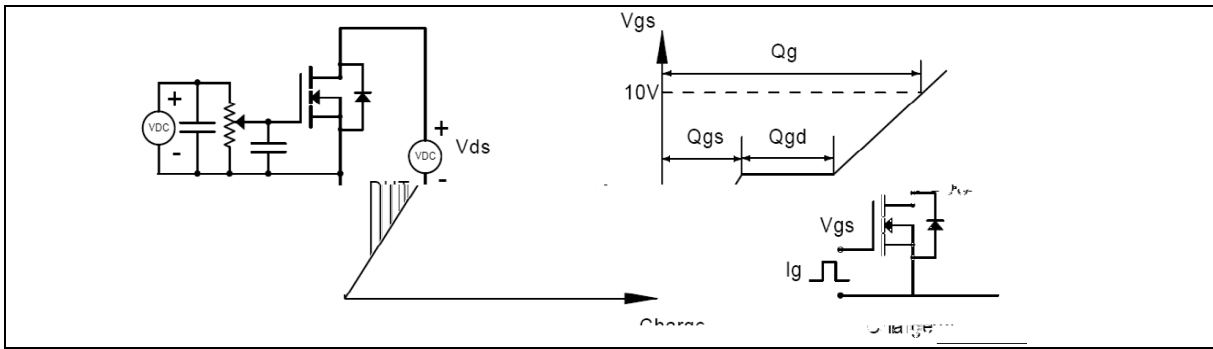


Figure 1. Gate charge test circuit & waveform

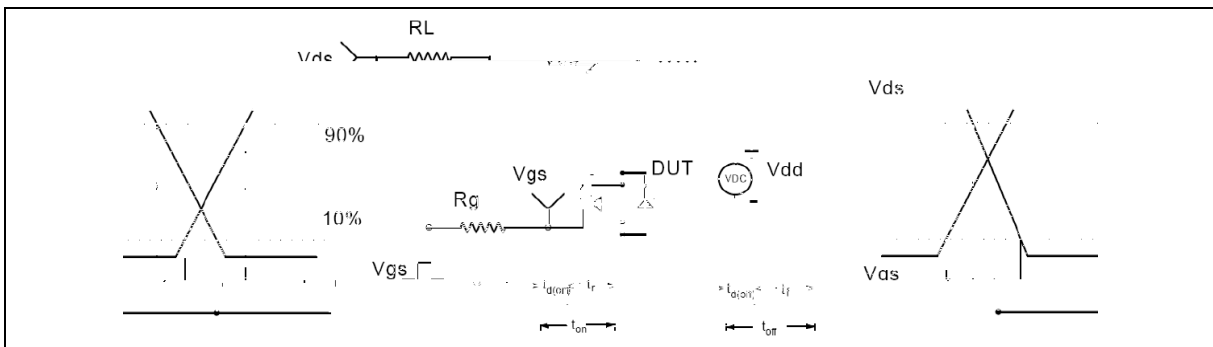


Figure 2. Switching time test circuit & waveforms

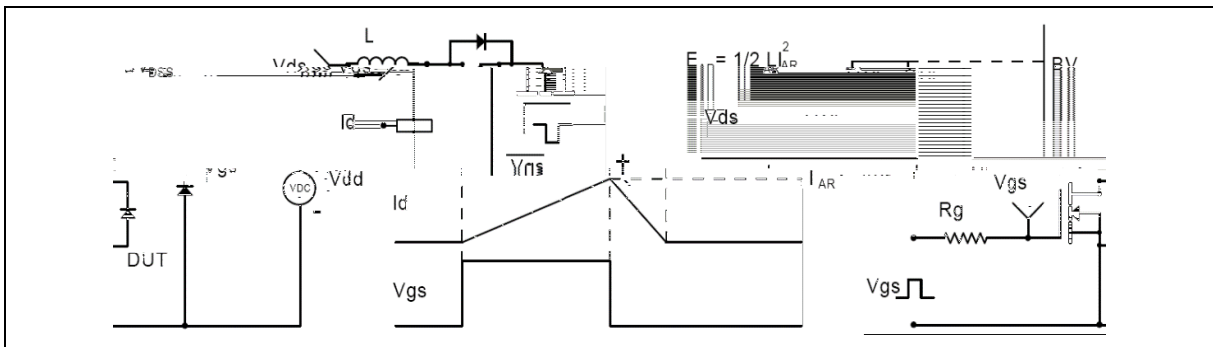


Figure 3. Unclamped inductive switching (UIS) test circuit & waveforms

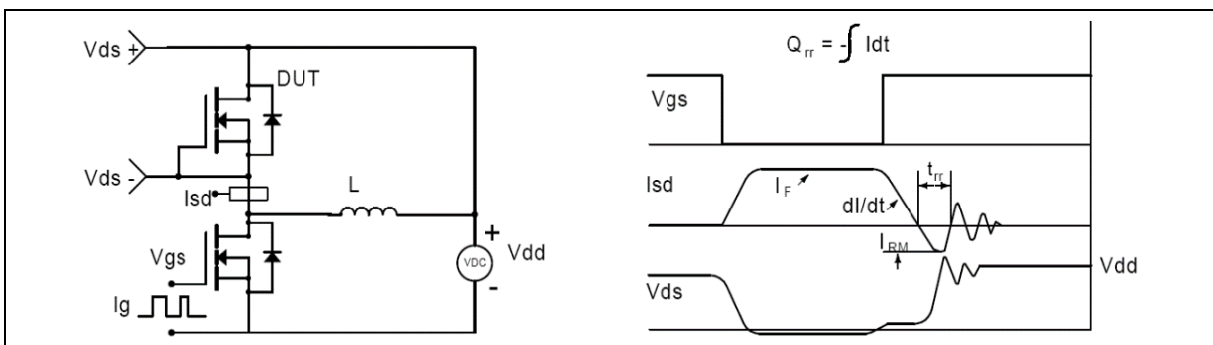


Figure 4. Diode reverse recovery test circuit & waveforms

Ordering Information

Package Type	Units/ Reel	Reels / Inner Box	Units/ Inner Box	Inner Box/ Carton Box	Units/ Carton Box

Product Information

Product	Package	Pb Free	RoHS	Halogen Free

Legal Disclaimer

--

© Oriental Semiconductor Co.,Ltd. All Rights Reserved 