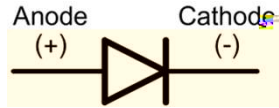
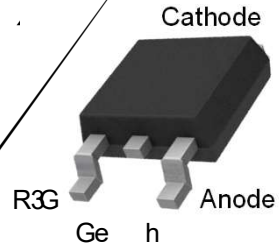


1: 94IZ Vg Vg  
 1W g g  
 1L 1 h g f  
 1V 1j g S e  
 1X e 1Mh h W g F e  
 1I Je W g  
 1T X e G g ZJ  
 1V LWG e

1W g Q h T W  
 1T Jeg G g  
 1Q H  
 1LMP

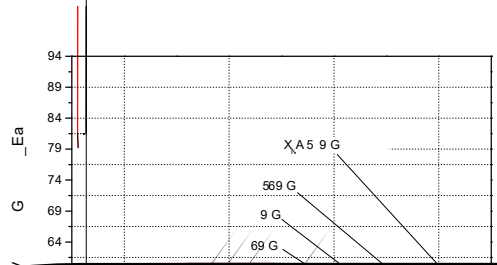


Z <sub>VQ</sub>	V T e V Z e		: 94	Z
Z <sub>VWQ</sub>	W T e V Z e		: 94	Z
Z <sub>HG</sub>	HGF g Z e		: 94	Z
M	G J e h G	X <sub>G</sub> X <sub>G</sub>	5: 9	E
M <sub>VQ</sub>	V T e J e h G	X <sub>G</sub>	7	E
M <sub>WQ</sub>	R 1V J e h W G , T[ A54 he-	X <sub>G</sub> X <sub>G</sub>	64 5:	E
T <sub>H</sub>	T H e	X <sub>G</sub>	: 6	[
X <sub>WQ</sub>	S e N g e h W e X e		199 / 5 9	

TH4484: 9I H 3TH4484: 9I HcK

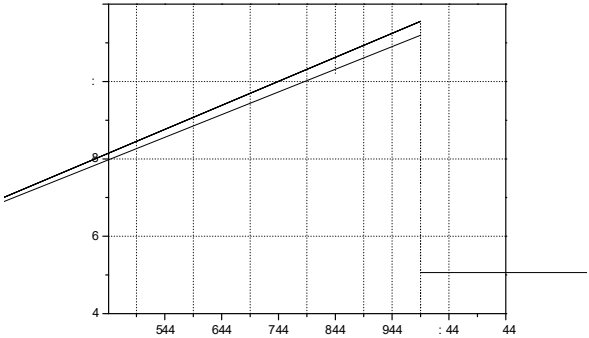
<del>X<sub>G</sub> A69 G</del> h						
<del>Z<sub>J</sub></del>	<del>J e h Z e</del>	<del>M A 8 E 0 X<sub>G</sub> A 6 9 G</del> <del>M A 8 E 0 X<sub>G</sub> A 5 9 G</del>	11	<del>5 2</del> <del>6 2</del>	<del>5 2</del> <del>6 2</del>	Z
<del>M</del>	<del>V G</del>	<del>Z<sub>V</sub> A: 9 4 Z X<sub>G</sub> A 6 9 G</del> <del>Z<sub>V</sub> A: 9 4 Z X<sub>G</sub> A 5 9 G</del>	11	<del>5 8</del> <del>6</del>	<del>7</del> <del>7 4</del>	E
<del>g</del>	<del>X e Ge eg G e</del>	<del>Z<sub>V</sub> A 8 4 4 Z</del>	11	<del>5 4</del>	<del>1 1</del>	G
<del>G</del>	<del>X e Ge eg e g</del>	<del>Z<sub>V</sub> A 5 Z 0 X<sub>N</sub> A 6 9 G 0 A 5 Q L</del> <del>Z<sub>V</sub> A 9 6 4 Z 0 X<sub>N</sub> A 6 9 G 0 A 5 Q L</del>	11	<del>5 4</del> <del>6 9</del>	<del>1 1</del>	J
<del>X<sub>G</sub> A69 G</del> h						
<del>V<sub>NG</sub></del>	<del>X e V e g 0 N g 1 1 Ge</del>		11	<del>6 2</del>	<del>6 2</del>	<del>3</del>
<del>X<sub>G</sub> A69 G</del> h						
<del>TH4484: 9I H</del>	<del>TH4484: 9I H</del>	<del>H1TEO</del>	<del>7 4</del>	<del>5:</del>	<del>6 9 4 4</del>	
<del>TH4484: 9I HcK</del>	<del>TH4484: 9I HcK</del>	<del>H1TEO</del>	<del>7 4</del>	<del>5:</del>	<del>6 9 4 4</del>	
<del>TH4484: 9I HcK</del>	<del>V L W G e</del>					
<del>e</del>	<del>X f</del>	<del>4 e</del>				

TH4484: 91 H 3TH

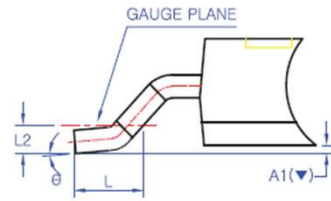
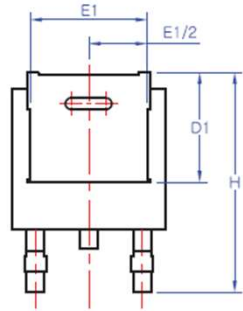
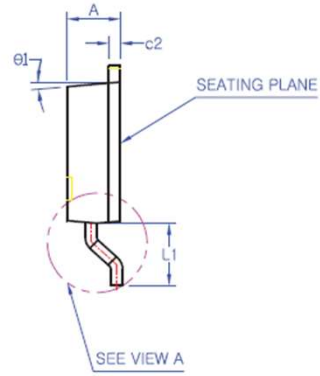
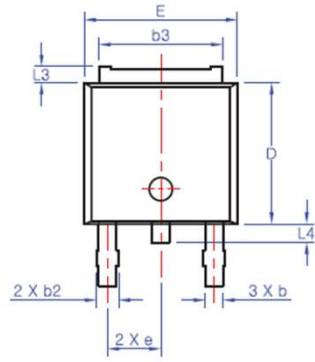


W T  
XA69 G

TH4484: 9I H 3TH4484: 9I HCK



TO-252-2L



VIEW A  
OPTIONAL TIP LEADFORM  
ROTATED 90° CW

SYMBOL	MIN	NOM	MAX
A	2.20	2.30	2.40
A1 (▼)	0.00	-	0.127
b	0.66	0.76	0.86
b2	-	-	0.96
b3	5.04	5.34	5.64
c2	0.40	0.50	0.60
D	5.90	6.10	6.30
D1		(4.75)	
E	6.40	6.60	6.80
E1		(5.04)	
e		2.30 BSC	
H	9.20	9.50	9.80
L	1.27	1.47	1.67
L1	2.50	2.70	2.90
L2		0.508 BSC	
L3	0.50	0.70	0.90
L4	0.60	0.80	1.00
θ	0°	-	10°
θ1		(5°)	

\* NOTE

1. THESE DIMENSIONS DO NOT INCLUDE PROTRUSIONS OF THE MOLD.
2. THE "( )" MARK IS THE REFERENCE
3. COPLANARITY : MAX 0.10mm
4. THE "L4" SYMBOL IS A PROTRUSION OF THE LEAD FRAME.

E2W g ge h f ge e f g ge g 2

F2F T h g 0 e g eg e e e h

G2M h e e e 0 e e e

h he e h h 0e h feg e h e 1 e

g h 2

H2] I WTS[ I VXI GLRM e e f e he e e

h g f h e g h f ] I WTS[ I VXI GLRM2

I2X g ge e g h h h ge

g e h e e ge g g T h g 2

J2] I WTS[ I VXI GLRM h e 0 g g 0e g

g e g e h f ] I WTS[ I VXI GLRM

e e 2

K2] I WTS[ I VXI GLRM e e f e e h

e g g ge e 2

L2T e T h g egg he g e e gef e e

e h e 0 g e V LWH g 2

M ] I WTS[ I VXI GLRM e e f e he e

1g e g e e gef e e 2

N2 X h g 0 e 0 e f h h g h

g ] I WTS[ I VXI GLRM2

