

123

=25 (unless otherwise specified)

=25

=25      =25

W

W  
W





--	--	--

Figure 4. Normalized On-Resistance vs. Junction Temperature

--	--	--

Figure 5. Typical Transfer Characteristics

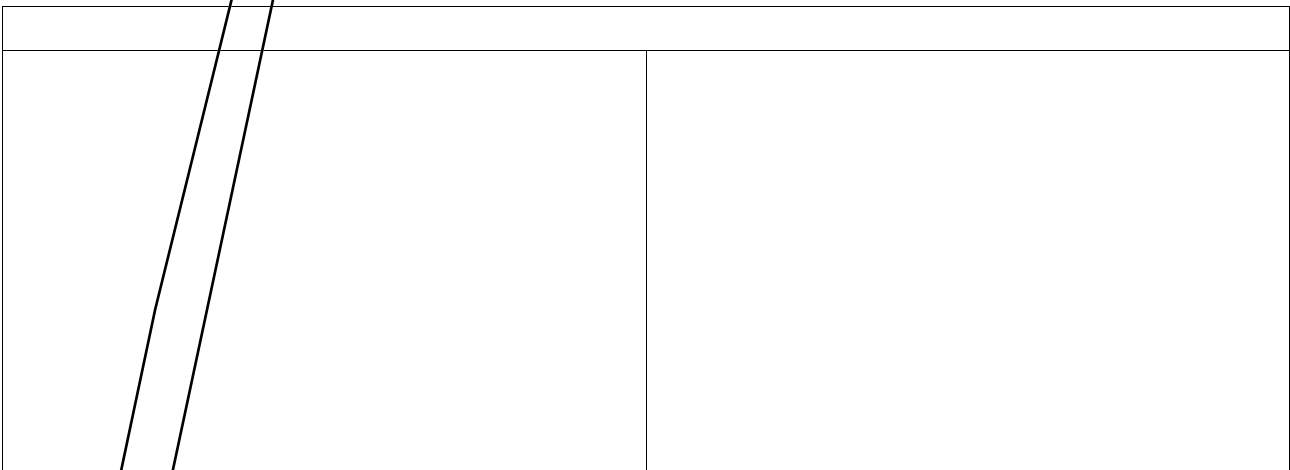
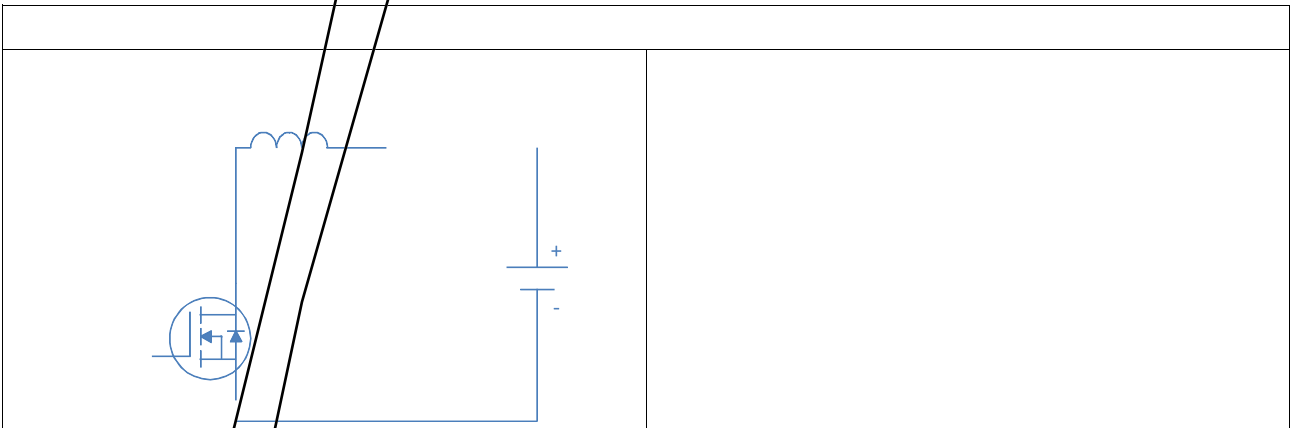
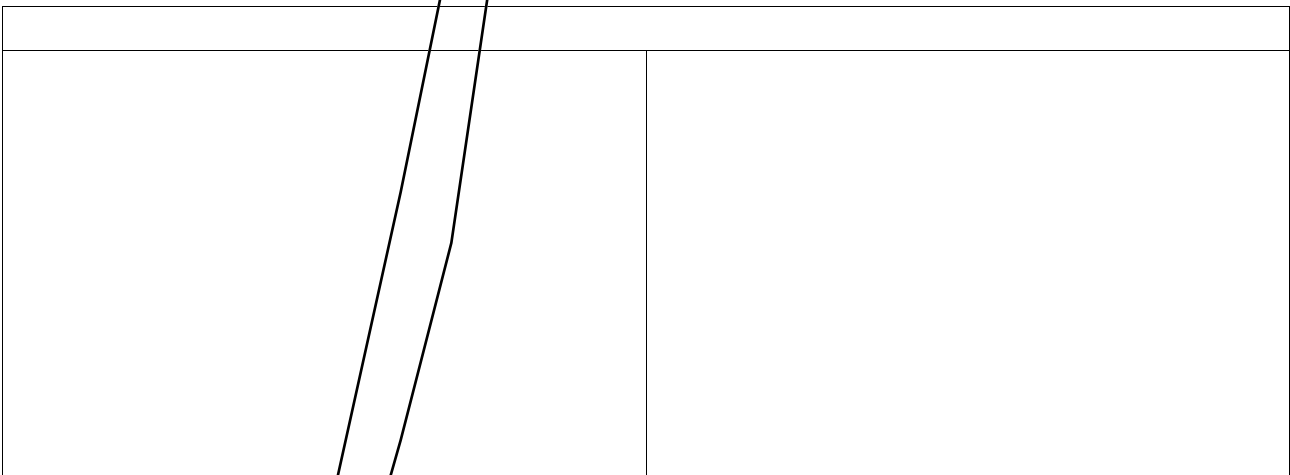
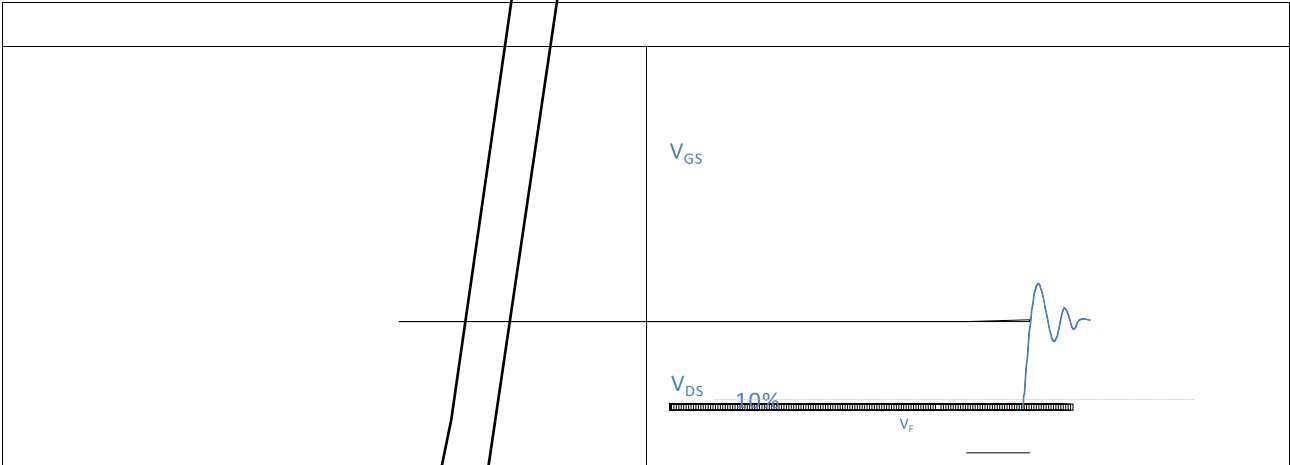
--	--	--

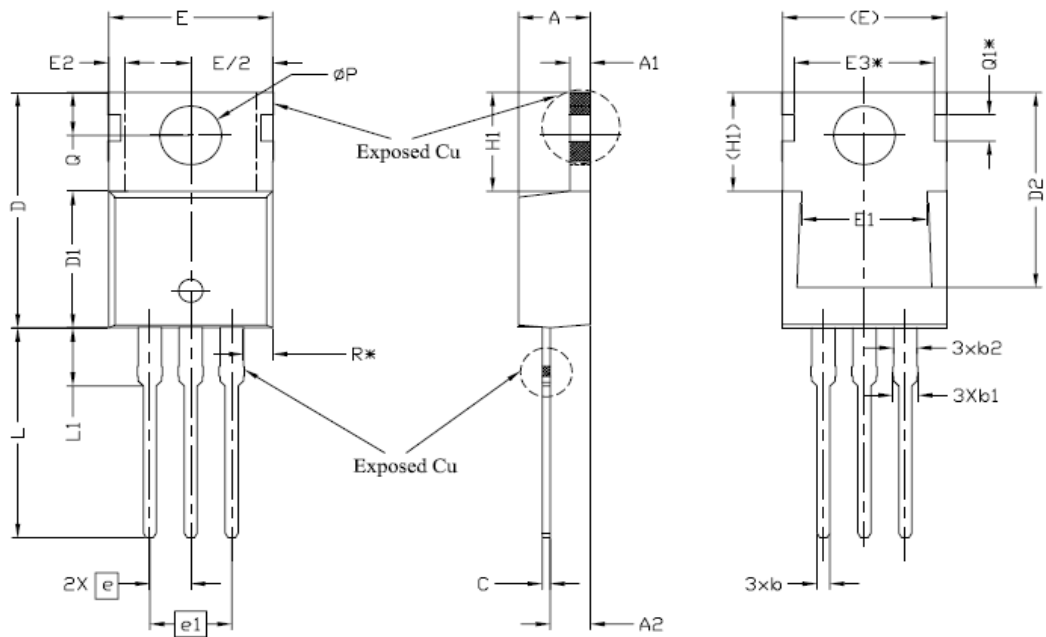


<hr/> <hr/> <hr/> <hr/> <hr/>	

Figure 9. Maximum Safe Operating Area	

Figure 11. Normalized Maximum Transient Thermal Impedance, Junction-to-Case	





SYMBOL	DIMENSIONS			NOTES
	MIN.	NOM.	MAX.	
A	4,24	4,44	4,64	
A1	1,15	1,27	1,40	
A2	2,30	2,48	2,70	
b	0,70	0,80	0,90	
b1	1,20	1,55	1,75	
b2	1,20	1,45	1,70	
c	0,40	0,50	0,60	
D	14,70	15,37	16,00	4
D1	8,82	8,92	9,02	
D2	12,63	12,73	12,83	5
E	9,96	10,16	10,36	4,5
E1	6,86	7,77	8,89	5
E2	-	-	0,76	6
E3*	8,70REF.			
e	2,54BSC			
e1	5,08BSC			
H1	6,30	6,45	6,60	5,6
L	13,47	13,72	13,97	
L1	3,60	3,80	4,00	
ØP	3,75	3,84	3,93	
Q	2,60	2,80	3,00	
Q1*	1,73REF.			
R*	1,82REF.			

